



# ICT ADDS NEW DC-DC CONVERTER MODEL TO ISOLATED SERIES 2 PRODUCT FAMILY

## New model supports 48-volt DC sites with mixed polarities

ICT has added a new DC-DC converter model to its Isolated Series 2 product line. The new converter model supports 48-volt applications where some load devices are +48 VDC and some are -48 VDC.

The isolated design isolates all input connections from the output, allowing for load devices with mixed polarities to be used together. This is commonly required in wireless broadband applications and tower sites. The new ICT206048-5AI2 model also supports 24 VDC input voltage ranges.

### Specifications

Model Number	Input Voltage Range	Output Voltage	Output Current (Cont.)	Output Current (Peak)	Output Ripple (Max)	Cooling	Line Regulation	Load Regulation	Efficiency (Typical)	Operating Temperature Range
ICT206048-5AI2	20-60 VDC	55.2 VDC +/- 600 mV	4.0 Amps	5.0 Amps	30mV RMS	Convection	0.5%	0.5%	88%	-30°C to +60°C




**LASTMILE**  
A WAV COMPANY *gear*

**To Order: 866-230-9174**  
**sales@lastmilegear.com**





# ISOLATED SERIES 2

## Fully Isolated DC-DC Power Converters

ICT Isolated Series 2 DC-DC converters provide fully isolated high conversion efficiency, an on/off control contact to help save energy and prolong battery life, and a 2-year warranty. The Isolated Series 2 provides the benefits of full isolation at non-isolated converter price levels.

Isolated Series 2 converters can operate from a negative or positive ground electrical system, and are ideal for applications where complete isolation is necessary between primary and secondary circuits, as well as from the chassis.

Whether for a vehicle, communications tower site or off-grid power system, Isolated Series 2 converters come with the added assurance of years of proven ICT reliability and performance.

### Performance and Flexibility

Models are available from 120 watts to 420 watts to match your needs. Input voltages range from 10 to 60VDC, with outputs in 12, 24 and 48VDC to cover virtually every application requirement.

Up to three Isolated Series 2 converters can be mounted in a standard 19 inch equipment rack using the ICT-RM2U rack mount accessory kit.

### Low Cost of Ownership

All models come with a 2-year warranty. Minimum internal wiring and conformal coating of the electronics protects these converters from life shortening vibration and moisture.

### Reliability

Reliability is achieved through careful design that virtually eliminates internal wiring and connections that can fail. Wide input voltage ranges are less susceptible to voltage spikes and drops. Every unit is extensively tested before it leaves the factory.

### Energy Saving Design

A high-efficiency design means less energy is lost in the conversion process. A contact terminal is provided that allows the converter to be turned off and on by the main circuit, saving energy and avoiding standby drain on the battery.



### MODEL SELECTOR GUIDE

Input Voltage	Output Voltage	Output Current	Model Number
12VDC	12VDC	12 Amps	ICT1212-12AI2
		35 Amps	ICT1212-35AI2
	48VDC	5 Amps	ICT103048-5AI2
24VDC	12VDC	12 Amps	ICT206012-12AI2
		20 Amps	ICT206012-20AI2
		35 Amps	ICT206012-35AI2
	24VDC	10 Amps	ICT206024-10AI2
		20 Amps	ICT206024-20AI2
	48VDC	5 Amps	ICT103048-5AI2
5 Amps		ICT206048-5AI2	
48VDC	12VDC	12 Amps	ICT206012-12AI2
		20 Amps	ICT206012-20AI2
		35 Amps	ICT206012-35AI2
48VDC	24VDC	10 Amps	ICT206024-10AI2
		20 Amps	ICT206024-20AI2
48VDC	48VDC	5 Amps	ICT206048-5AI2
19" Rack Mount Tray, holds 1, 2 or 3 converters			ICT-RM2U



To Order: 866-230-9174  
sales@lastmilegear.com

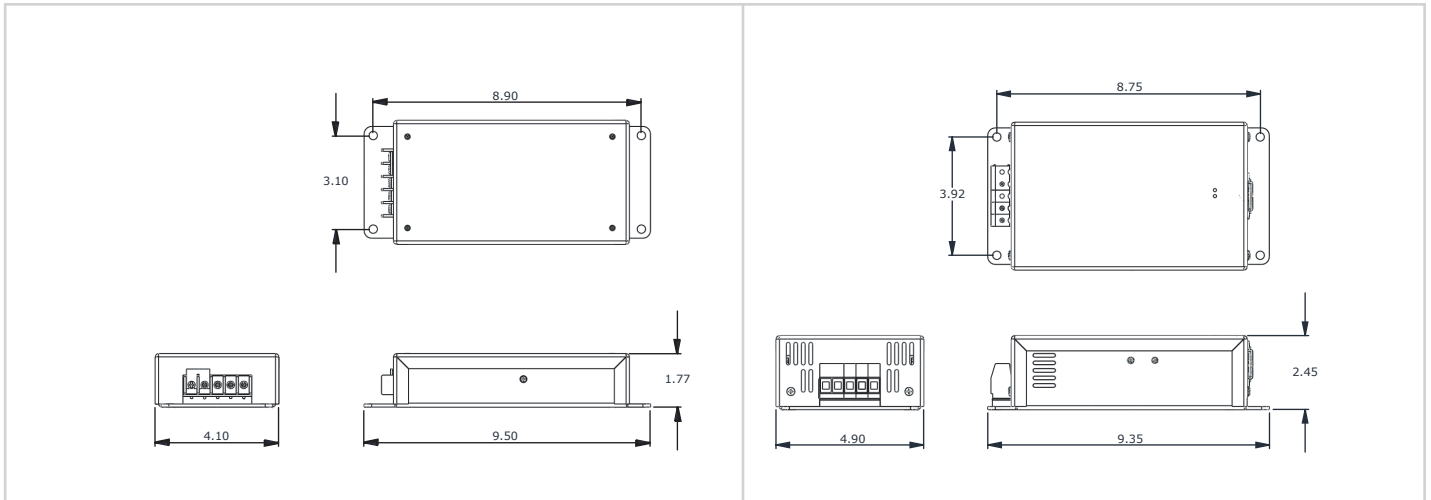
Model Number	Input Voltage Range	Output Voltage	Output Current (Cont.)	Output Current (Peak)	Output Ripple (Max)	Cooling	Line Regulation	Load Regulation	Efficiency (Typical)	Operating Temperature Range <sup>(1)</sup>
ICT1212-12AI2	11-18 VDC	13.8 VDC +/- 150 mV	10.0 Amps	12.0 Amps	20mV RMS	Convection				
ICT1212-35AI2	11-18 VDC	13.8 VDC +/- 150 mV	32.0 Amps	35.0 Amps	20mV RMS	Fan				
ICT103048-5AI2	11-30 VDC	48.0 VDC +/- 300 mV	4.0 Amps	5.0 Amps	30mV RMS	Convection				
ICT206012-12AI2	20-60 VDC	13.8 VDC +/- 150 mV	10.0 Amps	12.0 Amps	20mV RMS	Convection				
ICT206012-20AI2	20-60 VDC	13.8 VDC +/- 150 mV	17.0 Amps	20.0 Amps	20mV RMS	Convection				
ICT206024-10AI2	20-60 VDC	27.6 VDC +/- 300 mV	8.0 Amps	10.0 Amps	30mV RMS	Convection				
ICT206024-20AI2	20-60 VDC	27.6 VDC +/- 300 mV	16.0 Amps	20.0 Amps	30mV RMS	Fan				
ICT206012-35AI2	20-60 VDC	13.8 VDC +/- 150 mV	32.0 Amps	35.0 Amps	20mV RMS	Fan				
ICT206048-5AI2	20-60 VDC	55.2 VDC +/- 600 mV	4.0 Amps	5.0 Amps	30mV RMS	Convection				
All Models							0.5%	0.5%	88-90%	-30 to +60C

(1) Derate 1%/°C > 40 C

### Dimensions (inches)

ICT1212-12AI2    ICT206012-20AI2  
 ICT103048-5AI2    ICT206024-10AI2  
 ICT206012-12AI2    ICT206048-5AI2

ICT1212-35AI2  
 ICT206024-20AI2    ICT206012-35AI2



## LASTMILE

A WAVE COMPANY

## gear

To Order: 866-230-9174

sales@lastmilegear.com